


GNSDX-10 Adjustable Soft-Down Stay

Downward opening

Opening Direction	Description	Non-handed	Maximum Door Moment
 Downward-opening	With Catch	-	1.96-6.86 N·m/pc (20-70 kgf·cm/pc)

Features

- Soft-closing for downward-opening doors
- Designed to hold the door in fully closed position
- Door opening speed can be adjusted with adjustment screw
- Passed 30,000 life cycle test

Notes

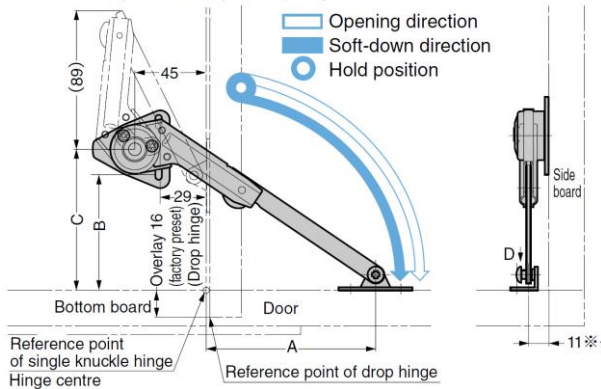
- Operating temperature: 0°C - 40°C
- Handed: Specific left and right-handed
- Door closing speed varies depending on application
- When placing objects or working on the surface of opened door, install a brace or reinforcement material to support the door in addition to the stay

Sold Separately

- Mounting plate
- GSDS face plate and spacer for glass door installation
- GAS accessories for aluminium frame installation, contact Gripwell for assistance

Installation Illustration: Right side installation for downward opening 90°. Left side installation is symmetrical

Comes down slowly and softly in opening direction.
Installation with piano/butt hinge or drop hinge shown below.



Glass Face Plate (Use with GNSDX-GZ mounting plate)

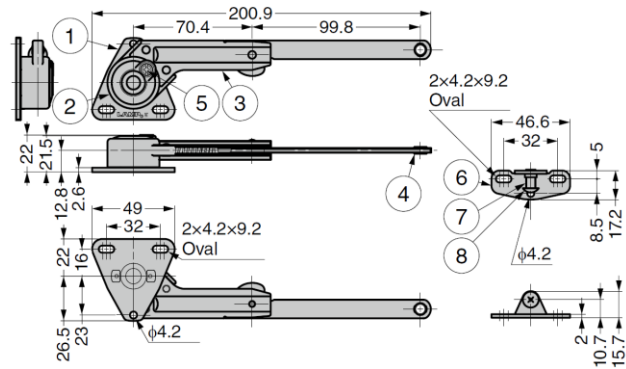
Part No.	Material	Finish
GSDS-50G-CR	Zinc Alloy /	Chrome / Black
GSDS-50G-BL	ABS	Black Enamel Finish / Black

Body

Part No.	Pipe	Material	Finish	Maximum Door Moment (per piece)	
GNSDX-10R	Right-handed	Zinc Alloy / Steel	Nickel	1.96 ~ 6.9 N.m	20 ~ 70 kgf.cm
GNSDX-10L	Left-handed				



No.	Part Name	Material	Finish/Colour
①	Body	Zinc Alloy (ZDC)	Nickel
②	Mounting plate	Steel (SPCC)	
③	Arm		POM
④	Sleeve		
⑤	Adjustment Screw	Steel (SWCH)	Nickel
⑥	Arm Mounting Plate	Steel (SPCC)	
⑦	Shaft	Steel (SWCH)	
⑧	Truss head screw (M4 x 5)		

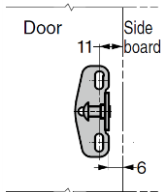


Installation for Mounting Plate

Hinge Type	A	B	C
Drop Hinge GSDH-001	97	91	107
Drop Hinge GSDH-P	98	88	104
Piano/Butt Hinge	90	99	115

Installation dimensions vary depending on hinge type.

- Reference point for each dimension: hinge centre for single knuckle hinge, while door edge for concealed hinge



Mounting Plate

Part No.	Type
GNSDX-SZ	Screw on
GNSDX-CZ	Clip on
GNSDX-AZ	Clip on for 20mm width aluminium frame
GNSDX-GZ	Clip on mounting plate for glass door

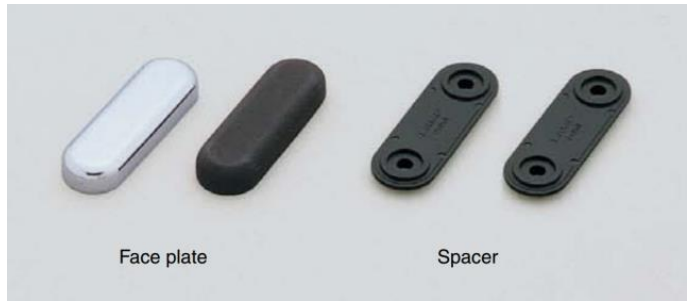
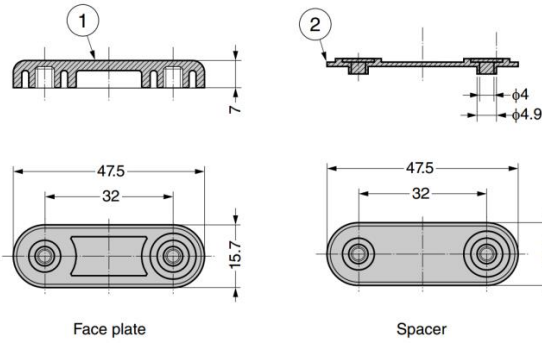
GSDS-50G Face Plate And Spacer For Glass Door

Features

- Glass door face plate for **GSDS** and **GNSDX** lid supports

Parts Included

- Countersunk head screw M4×14 (2 pcs)



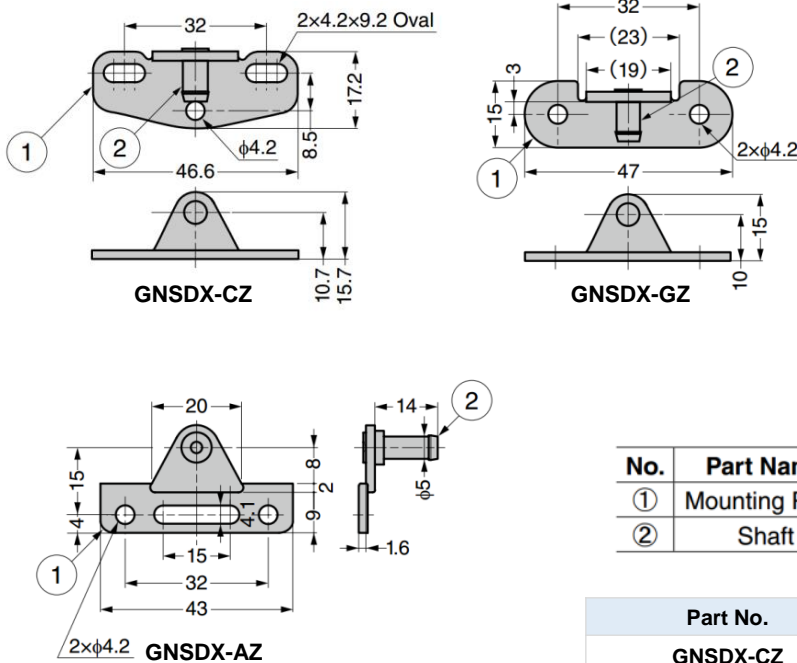
No.	Part Name	Material	Finish
①	Face Plate	Zinc Alloy (ZDC)	Chrome (CR), Black (BL)
②	Spacer	ABS	Black

Part No.	Finish
GSDS-50G-CR	Chrome
GSDS-50G-BL	Black

GNSDX Mounting Plate

Features

- Mounting plate for quick installation of **GNSDX** lid supports / stays
- Three types available



No.	Part Name	Material	Finish
①	Mounting Plate	Steel (SPCC)	Nickel
②	Shaft	Steel (SWCH)	

Part No.	Finish
GNSDX-CZ	Clip-on
GNSDX-AZ	Clip-on for 20 mm aluminium frame
GNSDX-GZ	Clip-on for glass door